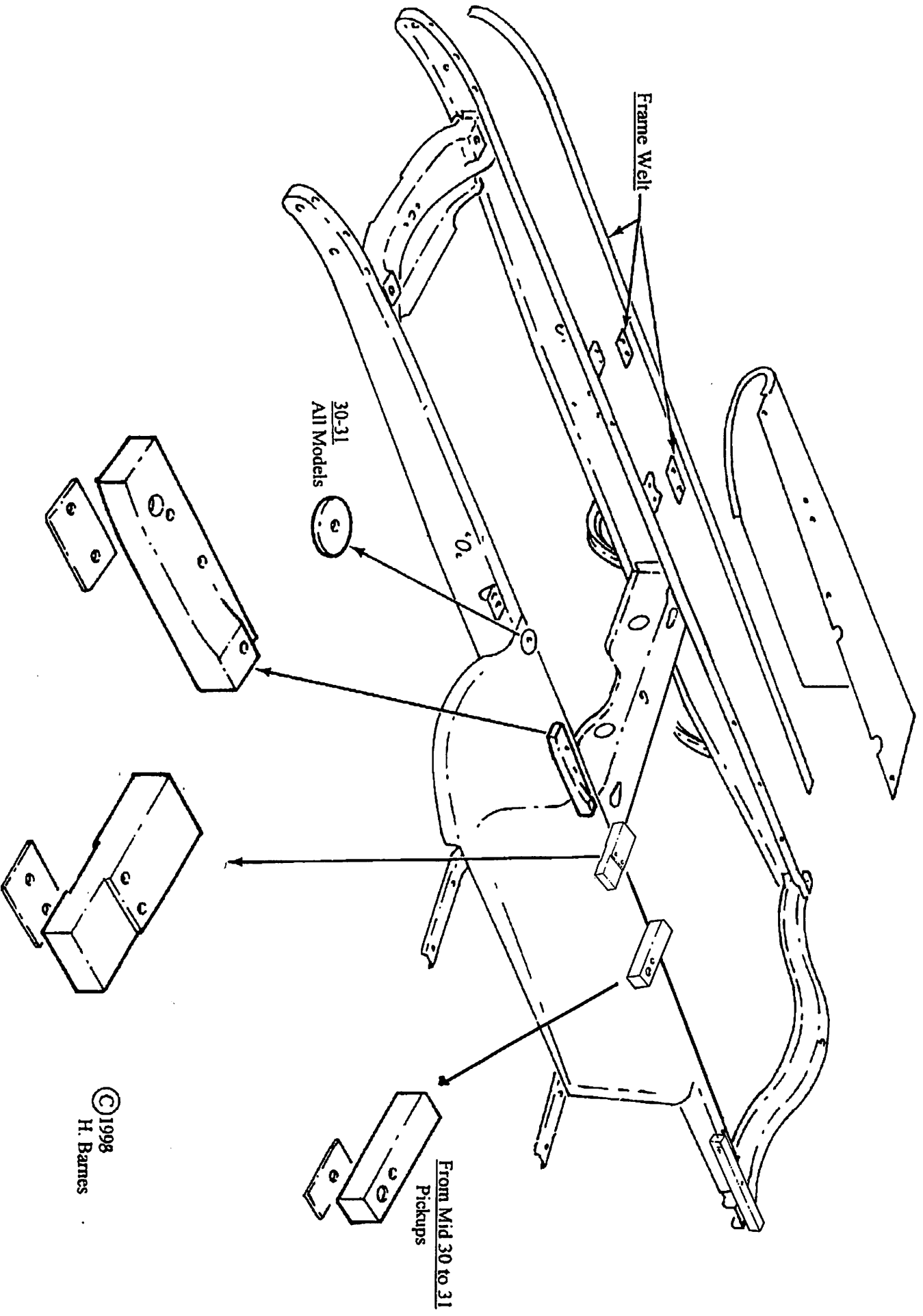


# MID 1930-31 CLOSED CAB PICKUP



© 1998  
H. Barnes